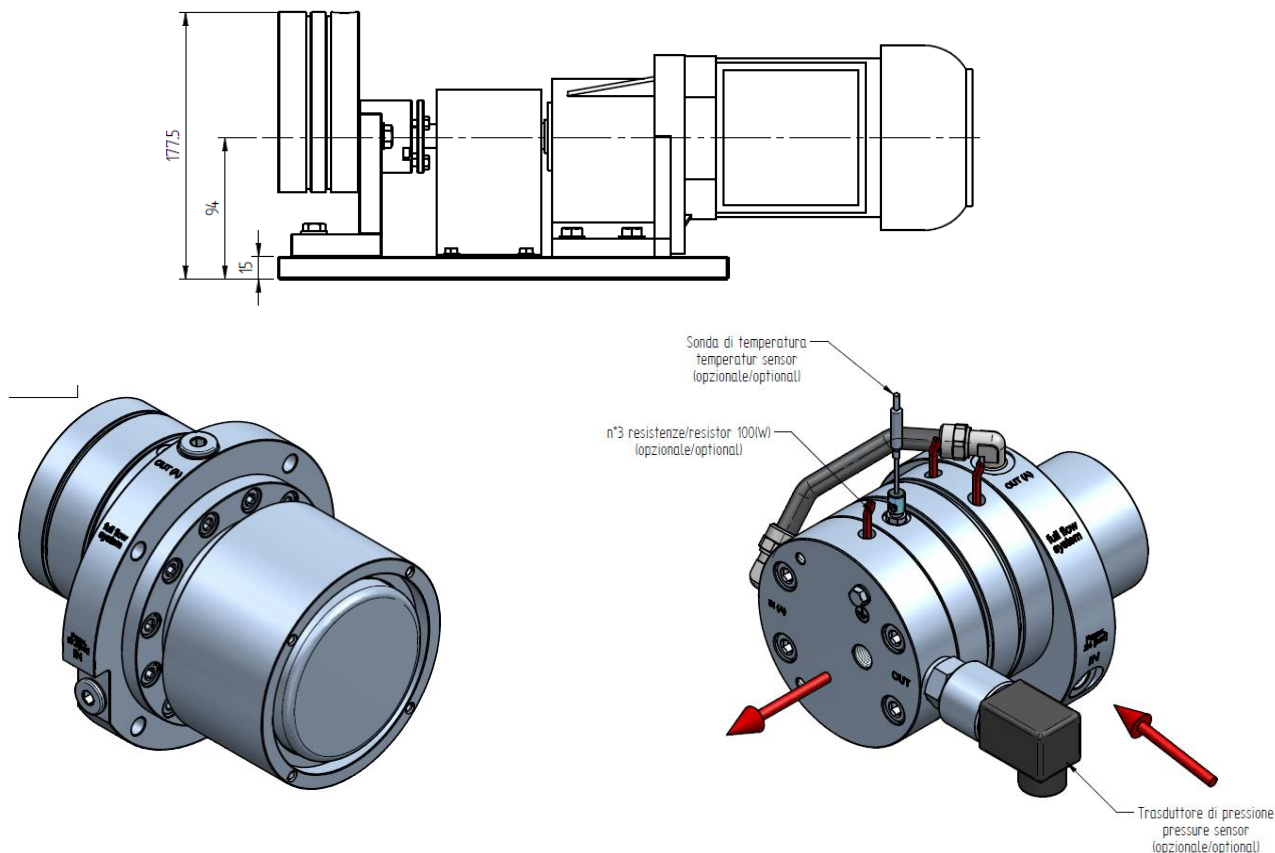




General purpose
PU metering gear pump
PLB Series

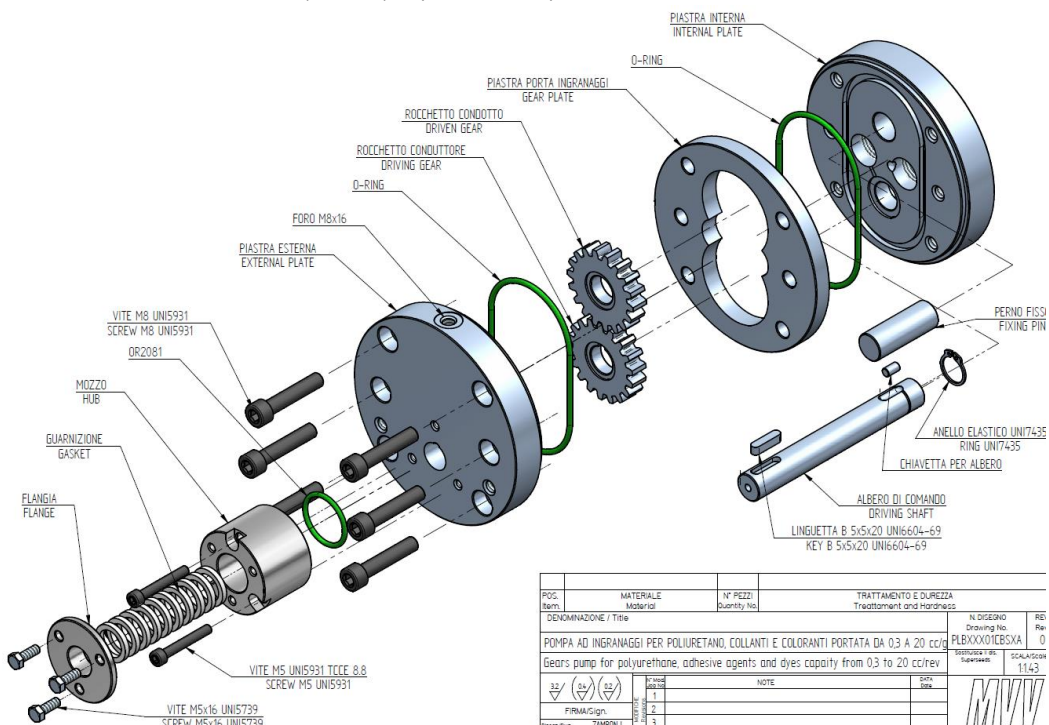




PLB pumps are designed with the basic principles of MVV but adding o-rings between the plates, to have the ability to handle viscosities under 100cP. It's fully made in Martensitic stainless steel with 54-56 HRC hardness.

Thanks to its construction, we developed a reliable and convenient Mag-Drive system which using KTR Minex magnets is able to handle up to 24 Bar. Full-flow system for magnet cooling is available on demand, together with a number of accessories such as electric heating, pressure and temperature sensors and ATEX certification. O-Rings can be made of different materials depending on the pumped fluid, from EPDM to FFKM Kalrez.

Different sizes and diameters are available, from 0,1cc/rev to 200cc/rev.



POS. (Item)	MATERIALE (Material)	N° PEZZI (Quantity No)	TRATTAMENTO E DUREZZA (Treatment and Hardness)
DENOMINAZIONE / Title			
POMPA AD INGRANAGGI PER POLIURETANO, COLLANTI E COLORANTI PORTATA DA 0,3 A 20 cc/rev			
Gears pump for polyurethane, adhesive agents and dyes capacity from 0,3 to 20 cc/rev			
1			NOTE
2			
3			
4			

PRODOTTORE: MOTTACHTER | MODIFICATO: MOTTACHTER | DISEGNATO: MOTTACHTER | PIANO: 00000

N. DISEGNO: PLBXXXXCBSXA
 REVISIONE: 01
 DATA: 11/43

MVV
 METERING SYSTEMS



Dimensions	FLOW RATE cc/rev									
	0,1	0,3	0,6	1,2	3	6	12	20	50	200
Diameter (mm)	105	105	105	105	105	120	120	120	160	200
Ports (BSPf)	3/8	3/8	3/8	3/8	3/8	3/8	3/8	3/8	3/8	1-1/2

Geometrical & construction

Construction Martensitic stainless steel (56HRC)

Drive & driven gear Acciaio inossidabile martensitico
Martensitic stainless steel (56HRC)

Shafts Nitriding steel - Martensitic stainless steel

Mag drive plate AISI 316

O-rings FKM, FFKM, EPDM...

Sealing system

Packing Arrangements Standard PTFE, Grafoil rings

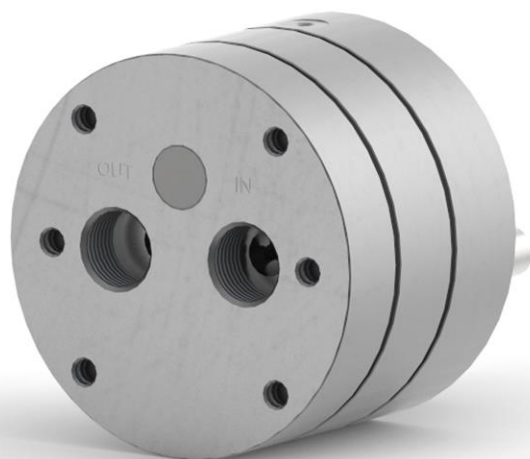
Mechanical Seal On demand

Magnetic Coupling KTR Minex 24/35 bar

Altro Others

Product Options Electric heating, pressure and temperature sensors, special clearances

Certificazioni
Certifications CE; ATEX II 2G Tx (Mag drive)



Simple.

Reliable.

Affordable.

PLB by MVV

Over 1 million of gear pump installed on many industrial fields supplied in over 70 years of history, makes MVV a well-established engineering and manufacturer of metering gear pumps. Knowledge, competence and research on handling of materials aimed at providing the right solution also in the extreme metering conditions. These are the technical skills of MVV.

To know more about our history and our products portfolio please visit our website.

SYNTHETIC FIBERS

MELTED GLUE PUMPS

POLYMER EXTRACTION

BOOSTER PUMPS

FINISHING PUMPS

TEXTILE PUMPS



Via Sant'Antonio 2
I-31010 Orsago TV
www.mvv.it info@mvv.it

DRIVE SYSTEMS

SPINNERETES

STATIC MIXERS

SPINNING BEAMS

SPARE PARTS

SPECIAL PARTS